

FUEL FILTERING,  
PUMPING AND HEATING STATION (FPI)

Pumping and heating unit performs a very important function in fuel oil combustion system as it must guarantee a constant pressure and temperature of the fuel to the burner. The pumping unit is quite often disregarded but it must be considered that many combustion troubles are caused by a faulty operation of the fuel feeding unit. Problems such as fuel temperature and pressure variations, pump cavitation, too high temperatures of the heating exchanger surface which cause carbon scalings, are often found but they must be avoided.

Fuel viscosity is coded as a number depends on how liquid it is. For example heavy oil is called No : 6 and it is not liquid in the condition of room temperature.

The pump capacity is selected by burner manufacturer.

There are two types of pumping station, low pressure and high pressure. Low pressure stations are used for steam atomising burners pressure is 10-16 bar. High pressure stations are used for nozzle spill back type for fuel atomising burners pressure is 25-30 bar.

In order to have good combustion, Also we need the heat exchanger, has to heat heavy oil up to 120-135°C.

There is no need of the heat exchanger for the light oil pump station.

#### HEAT EXCHANGER TYPES

- Hot Oil Exchanger
- Steam Exchanger
- Hot Water Exchanger
- Electrical Exchanger



Electrical Heat Exchanger

#### FILTER TYPES

- Steam Injected Filter
- Steam Heated Filter
- Electrical Filter
- Blade Type Filter



Oil Filters

ECOSTAR FUEL FILTER, PUMP AND HEAT STATION						
FUEL CAPACITY [lt/h]						
FUEL TYPE F : HEAVY-OIL M : LIGHT-OIL						
HEAT EXCHANGER TYPE K : HOT OIL E : ELECTRICITY S : HOT WATER B : STEAM						
GROUP PIECE T : ONE Ç : TWO-SPARE						
<b>VEYA GRUPLAR*</b> F : FILTER GROUP P : PUMP GROUP E : HEAT EX. GROUP SPARE GROUP						
FPI	1000	F	K	Ç	(F+P+E)	Can be choosen.



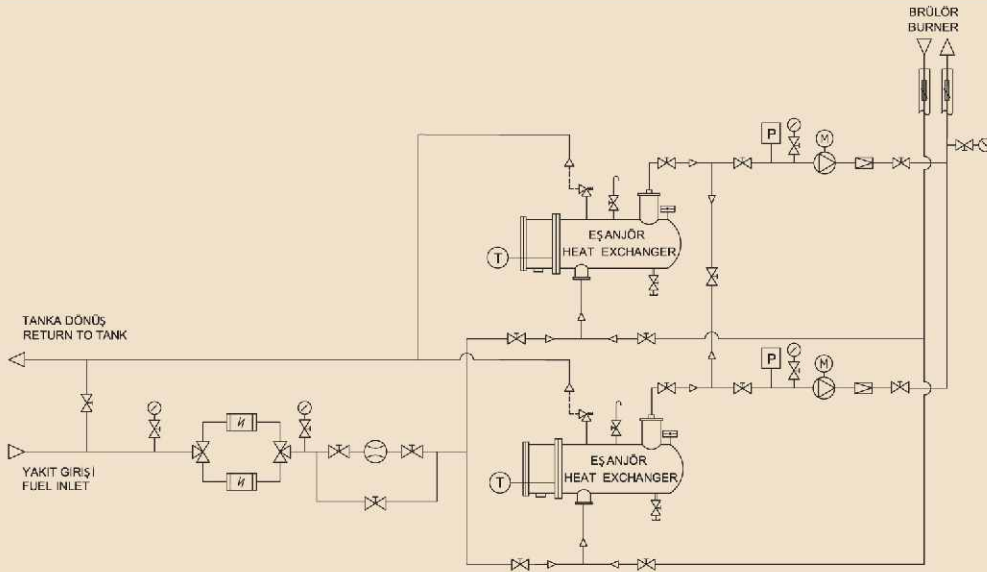
Light Oil Pumping Station



Hot Oil Heat Exchanger



Pumping Group (Double System)



TYPE	CAPACITY [lt/h]	HEAT EXCHANGER CAPACITY [kW]	PUMP MOTOR POWER [kW]	TOTAL POWER [kW]
FPI 1000	1000	30	2,2	32,2
FPI 1500	1500	45	3	48
FPI 2000	2000	60	4	64
FPI 2500	2500	75	5,5	80,5
FPI 3000	3000	90	5,5	95,5
FPI 3500	3500	105	5,5	110,5
FPI 4000	4000	120	7,5	127,5
FPI 4500	4500	135	7,5	142,5
FPI 5000	5000	150	7,5	150

05.2007



Authorised Dealers in India:



**TERMO ISI**  
Sistemleri Ticaret ve Sanayi A.Ş.

**Amba Enterprises**

C- 130, Station Plaza Basement, Station Road, Bhandup (W), Mumbai - 400 078  
Tel: 022-2566 3569 Fax: 022-2566 3550  
Email: [ambaenterprises@mtnl.net.in](mailto:ambaenterprises@mtnl.net.in) Website: [www.ambaenterprises.net](http://www.ambaenterprises.net)